

TEM Instrument System

for Transanal Endoscopic Microsurgery

- The only complete system for transanal endoscopic microsurgery
- Unique autoclavable stereoscope for 3-D visualization of tissue
- Combination pump/insufflator unit for controlled distention
- Specially angled hand instruments for precision excision and suturing

Transanal Endoscopic Microsurgery

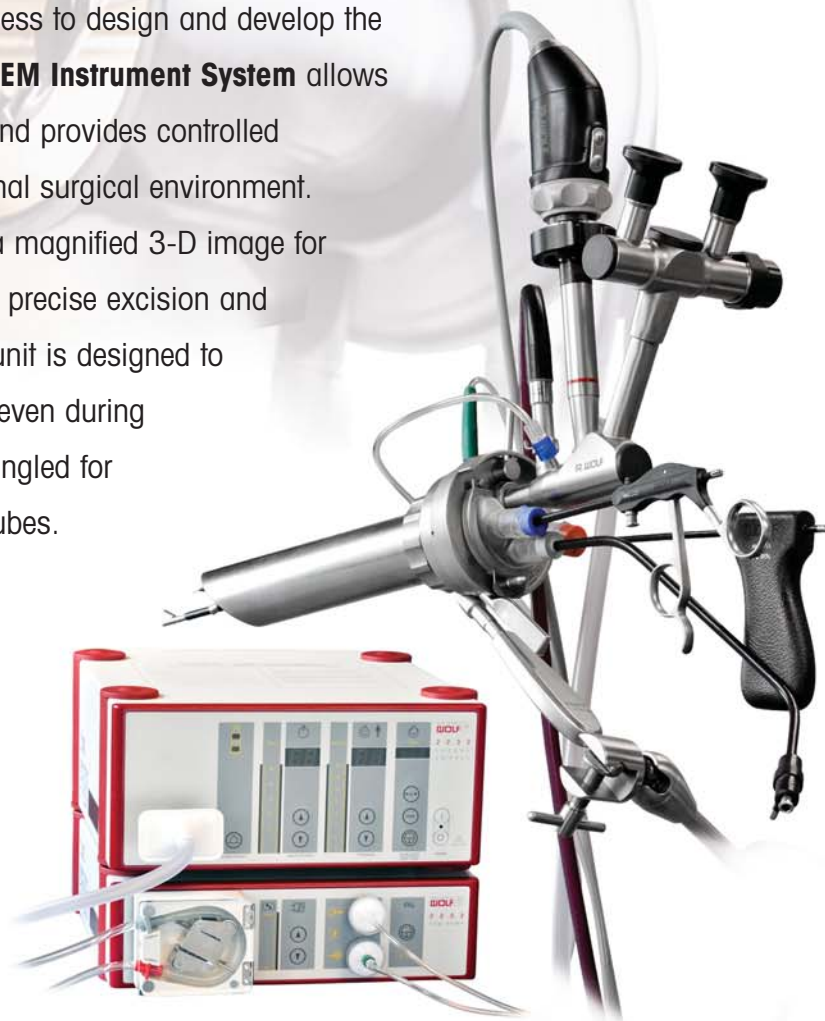
the minimally invasive solution

As an alternative to more radical abdominal surgery, Transanal Endoscopic Microsurgery (TEM) offers a **minimally invasive solution** for the excision of certain rectal polyps and early stage rectal cancers.

Pioneered in 1983 by German surgeon Dr. Gerhard Buess, TEM has revolutionized the resection of rectal lesions. Performed transanally with specially designed microsurgical instrumentation, TEM has made it possible to excise lesions high inside the rectum that otherwise would be accessible only by major abdominal surgery. The patient benefits of TEM as compared to radical abdominal surgery are clear: no major surgery, no large incision, no colostomy, less pain, faster recovery and shorter hospital stay.

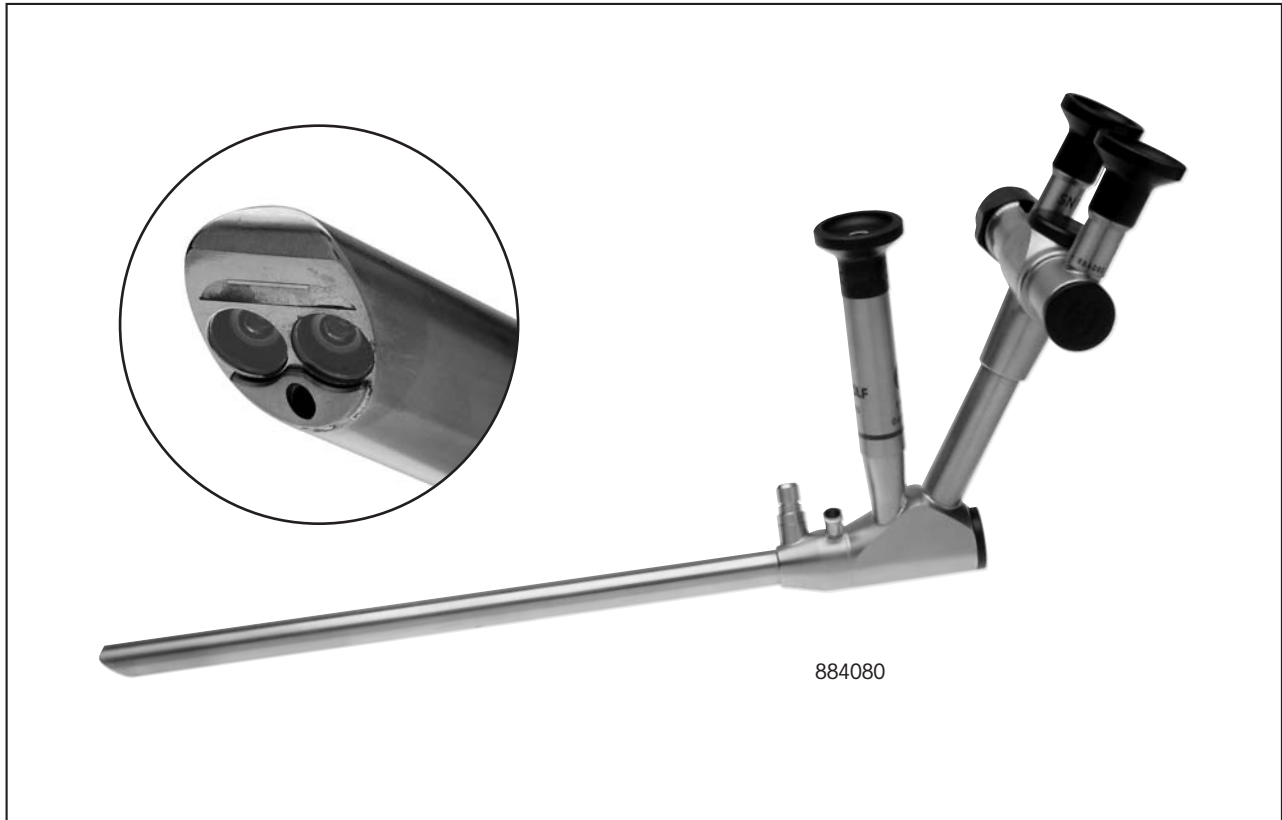
Richard Wolf has worked closely with Dr. Buess to design and develop the instrumentation for TEM. The **Richard Wolf TEM Instrument System** allows access up to 20cm high within the rectum and provides controlled distention and excellent visibility for an optimal surgical environment. The unique autoclavable stereoscope gives a magnified 3-D image for clear differentiation of tissue layers to ensure precise excision and suturing. The combination pump/insufflator unit is designed to maintain consistent distention of the rectum even during suctioning. Hand instruments are specially angled for precise maneuvering within the rectoscope tubes.

The complete **Richard Wolf TEM Instrument System** is designed to give the surgeon the precision instruments he needs to achieve successful outcomes with Transanal Endoscopic Microsurgery.



TEM Instrument System

Telescopes



884080

Stereo / Documentation Scope

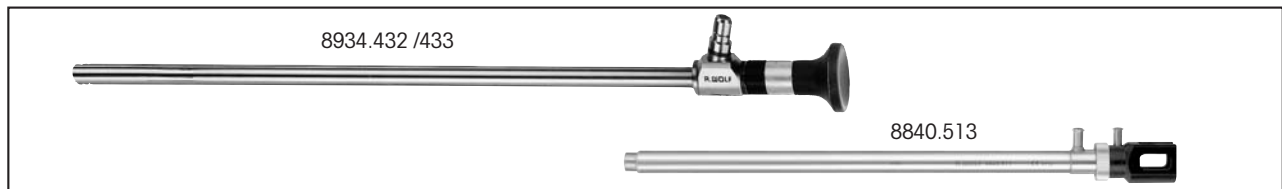
3D stereoscopic imaging for direct visualization with integrated documentation optics for monitor viewing. Adjustable stereo eyepiece and anti-droplet rinsing feature. 13.8 mm OD, 50° angle of view, 75° field of view. Fully autoclavable.....884080

Fiberoptic Light Cable

4.5mm bundle, 3M WL8061.456

Instrument Tray

to accommodate stereoscope 884080, for storage and sterilization.....38043012



8934.432 /433

8840.513

10mm Laparoscope and Sheath (an alternative to the stereoscope)

10mm Laparoscope

Panview Plus, 300mm WL
30° angle of view8934.432
50° angle of view8934.433

Rinsing/Insufflation Sheath

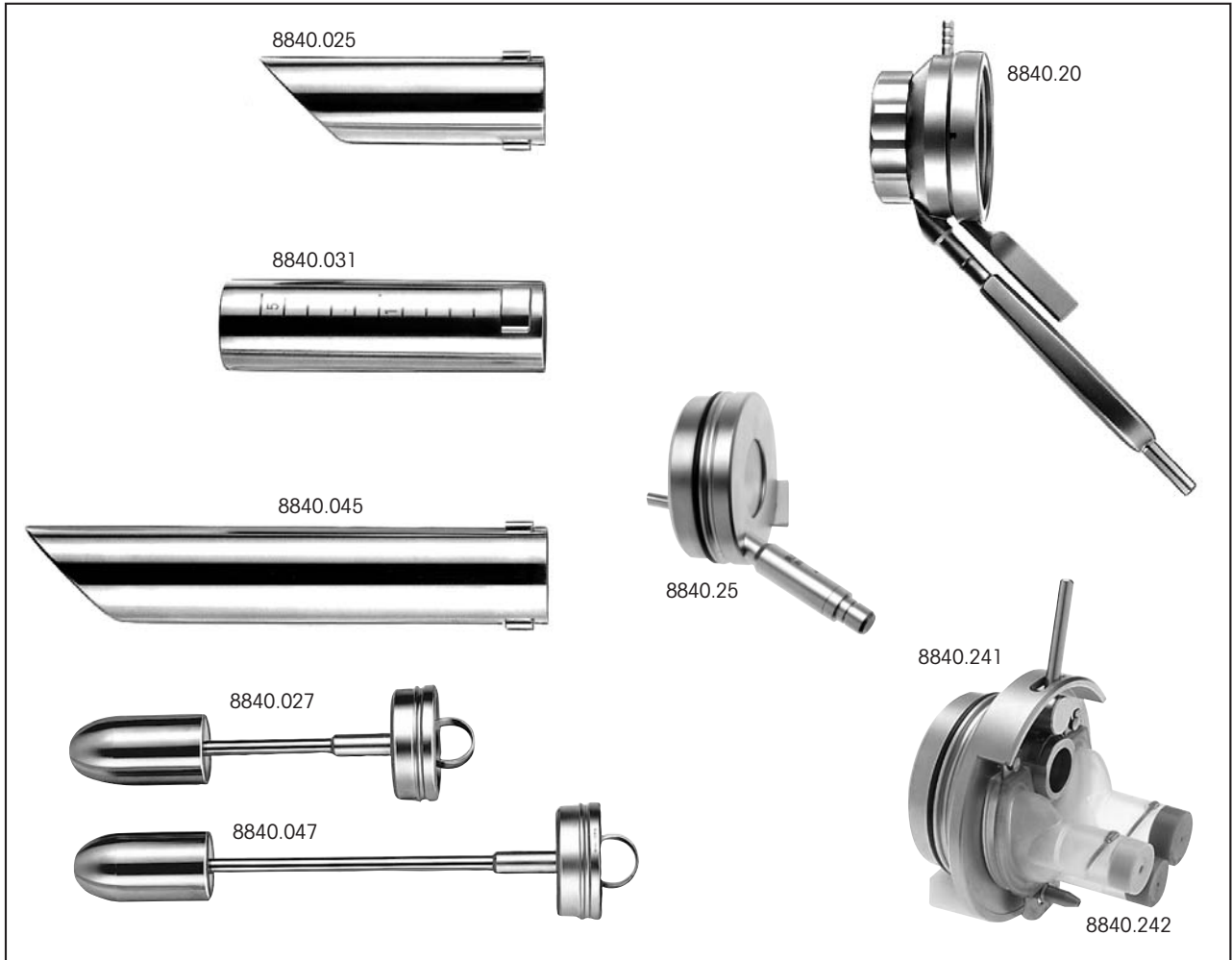
used with 10mm laparoscope for TEM, with channels for rinsing and insufflation, 13.8mm OD, 260mm WL8840.513

Fiberoptic Light Cable

4.5mm bundle, 3M WL8061.456

TEM Instrument System

Rectoscope Tubes



Handle and Bridge Assembly8840.20

Viewing Window8840.25

Rectoscope Tubes

120 mm long, 40 mm OD, oblique edge
Includes tube 8840.025,
and obturator 8840.0278840.021

137 mm long, 40 mm OD, flat edge
Includes tube 8840.031
and obturator 8840.0278840.311

200 mm long, 40 mm OD, oblique edge
Includes tube 8840.045
and obturator 8840.0478840.041

Working Faceplate

attaches to 8840.20, includes metal faceplate 8840.241, silicone sealing inserts 8840.242, sealing caps 89.02BL, 89.03GY, 89.10RE, 89.1418840.2411

Replacement Silicone Sealing Inserts

Pkg / 38840.242

Replacement Sealing Caps

for silicone sealing insert:

fits left and center ports

3mm to 5mm,blue89.02 BL

5mm to 6mm,grey89.03 GY

fits right (larger size) port






4mm to 6mm,red89.141

for backside of faceplate:

13 mm to 14 mm,red89.10 RE

TEM Instrument System

Grasping Forceps, monopolar

			
	Outer Diameter	Working Length	Code
 HF grasping forceps, angled downwards and curved right, for left hand	4.6 mm	405 mm	8840.621
 HF grasping forceps, angled downwards and curved left, for right hand	4.6 mm	405 mm	8840.622
 HF grasping forceps, straight and curved right, for left hand	4.6 mm	405 mm	8840.623
 HF grasping forceps, straight and curved left, for right hand	4.6 mm	405 mm	8840.624

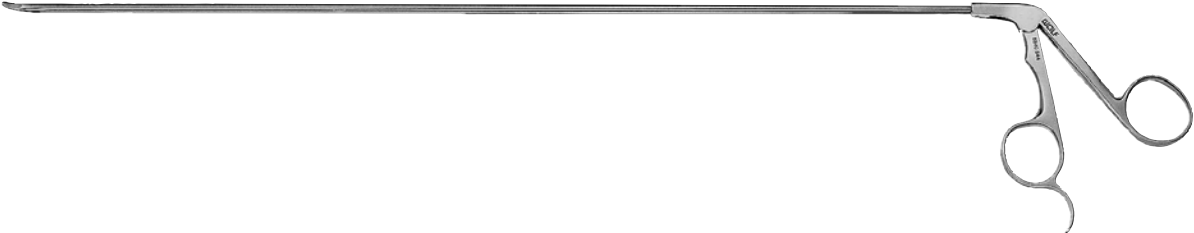
HF connecting cable

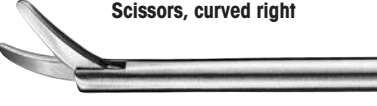

Wolf to Valley Lab 10 ft. reusable8106.033

Wolf to Valley Lab 10 ft., sterile disposable, pkg / 104106.0330


TEM Instrument System


Scissors



	Outer Diameter	Working Length	Code
 Scissors, curved right	4.6 mm	405 mm	8840.643
 Scissors, curved left	4.6 mm	405 mm	8840.644

Knife, monopolar for marking and dissecting






		Outer Diameter	Working Length	Code
 needle tip with ceramic insulation	curved left, for right hand	4 mm	425 mm	8840.711
	curved right, for left hand	4 mm	425 mm	8840.712

HF connecting cable
 Wolf to Valley Lab 10 ft. reusable8106.033
 Wolf to Valley Lab 10 ft., sterile disposable, pkg / 104106.0330

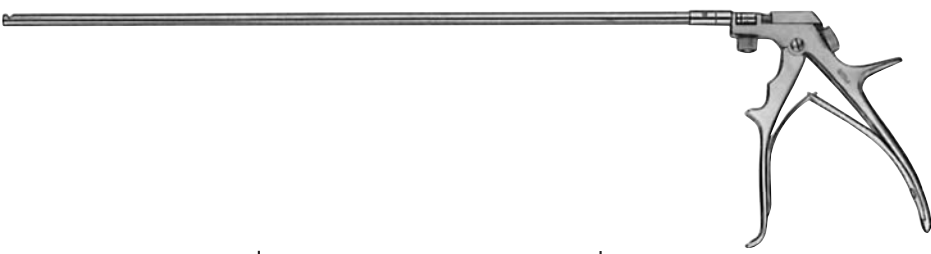


TEM Instrument System

Needle Holders*

 <p>8840.605 with self-righting feature</p>	Outer Diameter	Working Length	Code
 <p>Needle holder, self-righting angled downwards</p>	4.6 mm	405 mm	8840.605
 <p>Needle holder straight</p>	4.6 mm	405 mm	8840.604



*recommended suture 3.0 PDS with SH needle

Suture Clip Forcep

	Outer Diameter	Working Length	Code
 <p>Suture clip forcep</p>	6 mm	405 mm	8840.762
 <p>Suture clips, pure silver sterile packets w/6 clips, box/10 packets</p>			4840.765



TEM Instrument System

Suction Tube

				
		Outer Diameter	Working Length	Code
 <p>Coagulation suction tube</p>	curved right	6 mm	470 mm	8840.731

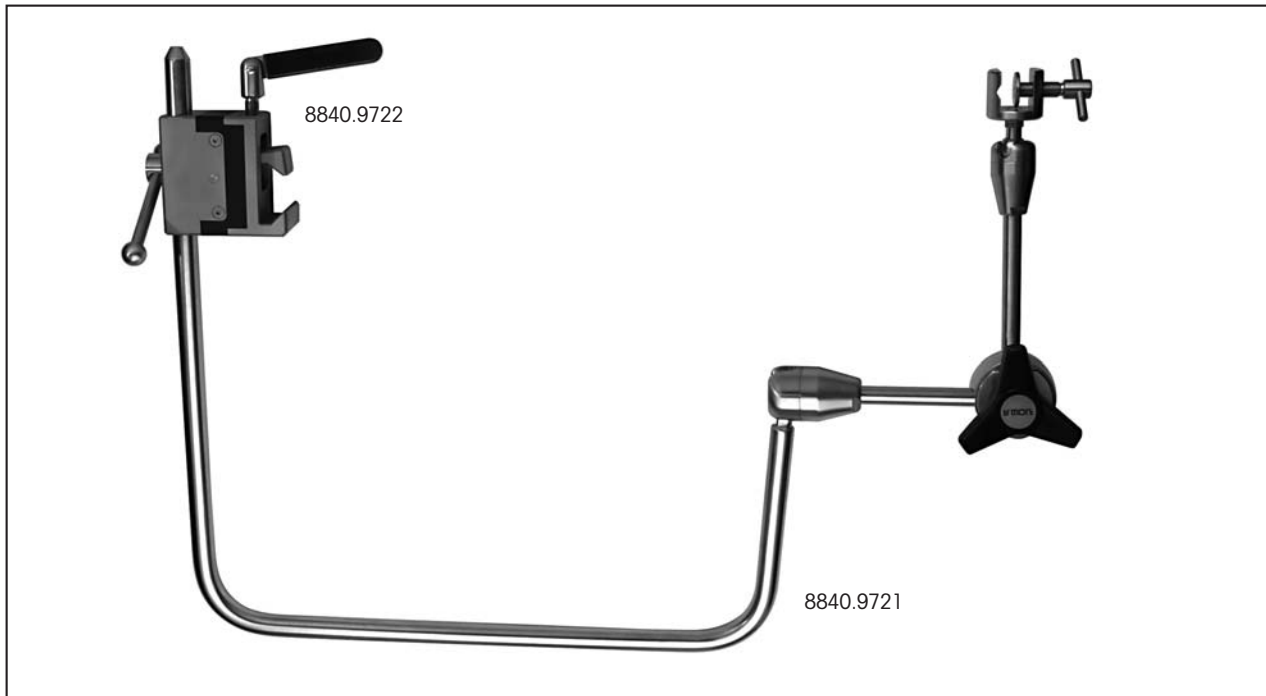
HF connecting cable
 Wolf to Valley Lab 10 ft. reusable8106.033
 Wolf to Valley Lab 10 ft., sterile disposable, pkg / 104106.0330

Retractable Needle

			
	Outer Diameter	Working Length	Code
 <p>Retractable Needle 25 gauge</p>	4 mm	325 mm	8840.74

TEM Instrument System

U-shaped Support Arm



U-shaped Support Arm

with special clamping device to position and stabilize the handle/bridge assembly8840.9721

Instrument Tray

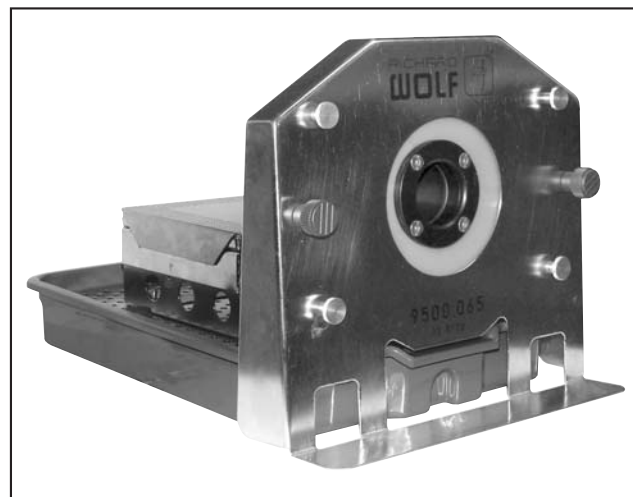
for U-shaped support arm and mounting block, metal construction, 16"L x 17"W x 5"H.....8585.026

Universal Mounting Block

mounts 8840.9721 to operating bed (standard rail).....8840.9722

TEM Trainer

for simulation and technique practice of the Transanal Endoscopic Microsurgery procedure. Accommodates both animal tissue specimens and inanimate tissue models. Includes clamps for securing trainer to table top9500.065



TEM Instrument System

TEM Combination System 2232



TEM Combination System 2232

Comprised of: TEM CO2 Pneu Insufflator (2232.641); TEM Pump (2232.644); irrigation bottle bracket (2232.841); footswitch (2030.231); TEM disposable kit (4170.811) x 22232.211

TEM Irrigation Bottle Connector

universal connector for irrigation bottles8383.951


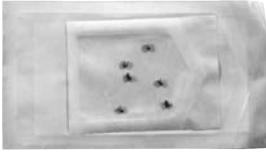
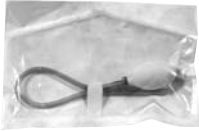


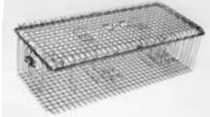
TEM Cart

with 2 adjustable shelves,
 21"W x 21"D x 37"H31113.308
 optional drawer insert31113.3081
 optional CO₂ tank holder31113.3083



TEM Instrument System

TEM Disposables and Accessories

	Product Number	Description
	4170.811	TEM Disposables Kit, includes: (1) Tubing set, sterile (1) Hand blower, sterile, latex-free (1) Suture clips, sterile, pack / 6 clips
	4840.765	Suture clips, sterile, single-use, 6 clips per pack, box / 10 packs
	127.0005	Hand Blower, sterile, latex-free, single-use, box / 5
	4170.801	TEM Tubing Set, sterile, single-use, for one procedure
Sealing Caps	89.02 BL	Blue, 3mm - 5mm, for left port on silicone sealing insert, bag/12
	89.03 GY	Grey, 5mm - 6mm, for center port on silicone sealing insert, bag/12
	89.141	Red, 4mm - 6mm, for right (larger sized) port on silicone sealing insert, bag/10
	89.10 RE	Red, 13mm - 14mm, for backside of faceplate, bag/12
O-Rings	N120030	Red O-Ring, for inside of (8383.951) bottle connector
	15364.067	Large Black O-Ring for faceplate 8840.241
	8585.021	Instrument Tray For storage and sterilization of rectoscope tubes, handle/bridge assembly, faceplate, hand instruments and accessories. Metal construction 27"L x 11"W x 8"H
	8585.026	Instrument Tray for storage and sterilization of U-shaped support arm and clamp. Metal construction 16"L x 17"W x 5"H
	38043012	Stereoscope Tray For storage and sterilization of stereoscope 884080 Metal construction 18"L x 8"W x 7"H

TEM Instrument System

Complete Set

for Transanal Endoscopic Microsurgery (TEM)

Item #	Product	Recommended Qty.
8840.20	Basic element (primary handle and bridge)	1
8840.021	Rectoscope tube w / obturator 40mm dia., 120mm length, oblique edge	1
8840.0311	Rectoscope tube w / obturator 40mm dia., 137mm length, flat edge	1
8840.041	Rectoscope tube w / obturator 40mm dia., 200mm length, oblique edge	1
8840.25	Adapter w / viewing window and illumination insert	1
8840.2411	Working faceplate, includes silicone sleeves and sealing caps	1
8840.242	Sealing sleeves, silicone, pkg / 3	2
884080	Stereo / Documentation scope	1
8840.9721	Articulated instrument support arm	1
8840.9722	Clamping device for attachment of instrument support arm to operating table	1
8840.731	Coagulating / aspirating tube, 47cm long	1
8840.711	High frequency knife, curved left, for right hand	2
8840.712	High frequency knife, curved right, for left hand	1
8840.624	High frequency grasper, straight, curved left, for right hand	1
8840.623	High frequency grasper, straight, curved right, for left hand	1
8840.622	High frequency grasper, angled down, curved left, for right hand	1
8840.621	High frequency grasper, angled down, curved right, for left hand	1
8840.604	Needle holder, straight	2
8840.605	Needle holder, angled downwards	2
8840.74	Retractable needle	1
8840.643	Scissors, right curved	1
8840.644	Scissors, left curved	1
8840.762	Suture clip forceps	2
8106.033	High frequency connecting cable, Wolf to Valleylab generator (Bovie)	1
8061.456	Fiber light cable, 4.5mm, 10ft.	1
8383.951	Irrigation bottle adapter	1
2232.211	TEM Combination System, Pump and CO ₂ Pneu Insufflator	1
9500.065	TEM Trainer System	1
8585.021	Sterilization and storage tray for hand instruments and rectoscope tubes	2
8585.026	Sterilization and storage tray for support arm and clamp	1
38043012	Sterilization and storage tray for stereoscope	1
31113.308	Cart with 2 adjustable shelves, 21"W x 21"D x 37"H	1
31113.3081	Drawer insert for cart	1
31113.3083	CO ₂ tank holder for cart	1
4170.811	TEM Disposables Kit, includes tubing set, hand blower, packet of suture clips	5
4840.765	Suture Clips, sterile, 6 clips per packet, box/10 packets	1
127.0005	Hand blower, latex-free, disposable, sterile, box/5	1
89.02BL	Sealing caps, blue, for silicone sleeve, pkg/12	1
89.03GY	Sealing caps, grey, for silicone sleeve, pkg/12	1
89.10RE	Sealing caps, red, for back side of faceplate, pkg/12	1
89.141	Sealing caps, red, for silicone sleeve, pkg/10	1